

Automatic zone level adjustment based on time of day with Vocia

In certain background music and paging applications it might be required to lower a zone’s (or multiple zones) level at a certain time in the afternoon and then re-adjust to normal level in the morning. This note explains, assuming the system has an MS-1 and at least one VI-6 or VO-4, how to achieve this by using the Scheduler, Control Handles and a couple of Control I/O.

Wiring:

Connect one Control Output to two Control Inputs in the back of a VI-6 or VO-4 as shown below. Note that these connections can use Control Inputs and Outputs that are in different units. Also, multiple circuits like these can be built if different controls (different zones with different schedules) are needed

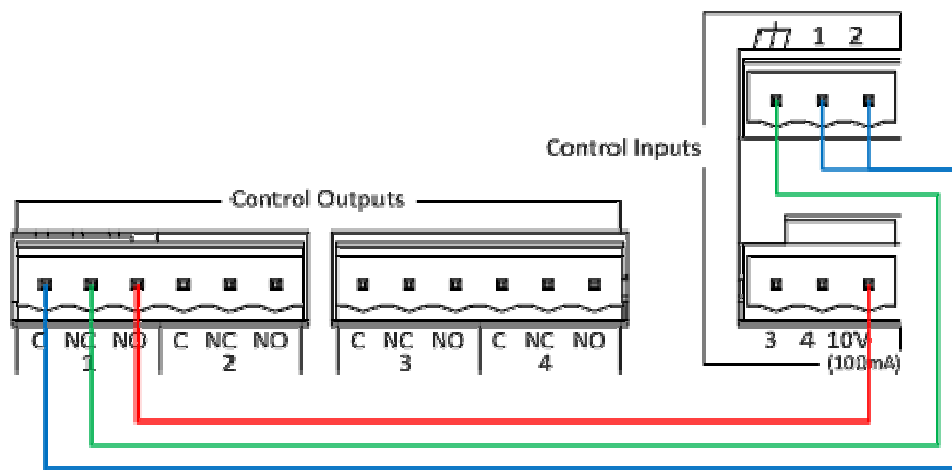


Figure 1 – Control Output to Control Inputs wiring (VI-6 back panel shown)

Programming:

1. In the Vocia software go to TOOLS > WORLD CONTROL HANDLES
2. Click NEW to create a Control Handle. Name it and make certain the input source is set to “Scheduler/VTP”
3. Open the VI-6 (or VO-4) Properties and click on the CONTROL icon
4. Set the following parameters for Control Input 1:
 - a. Active State: Low
 - b. Control Event: Zone State
 - c. In Assigned Value select the zones to be controlled, check “Volume Level %” and set the percentage Level to 100%
5. Set the following parameters for Control Input 2:
 - a. Active State: High
 - b. Control Event: Zone State
 - c. In Assigned Value select the zones to be controlled, check “Volume Level %” and set the percentage Level to the desired low level

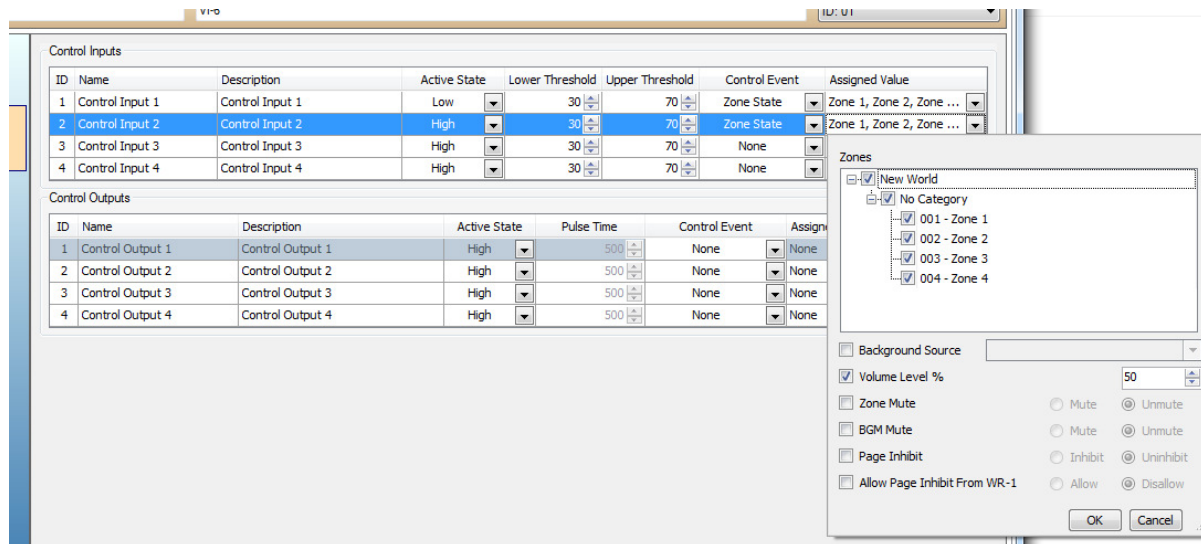


Figure 2 – Screen capture showing the Control Input settings

6. Set the following parameters for Control Output 1:
 - a. Active State: High
 - b. Control Event: Control Handle
 - c. In Assigned Value select the Control Handle we created in step #2
7. Open the World Properties, go to the Audio & Live Control Tab and click on the Scheduler Icon
8. Enable the Scheduler and create two Control Handle Events.
 - a. The first one should Enable the Control Handle (set the Control Handle to Active) at the time volume needs to be lowered
 - b. The second should disable the Control Handle (set the Control Handle to Inactive) at the time volume needs to resume to normal level

Note that this will only change the volume of your background material; it will not change the volume of any pages going to the zones you are controlling

If this application note did not answer your questions on the topic of "Automatic zone level adjustment based on time of day with Vocia", please contact Biamp Technical Support Group by phone at + 1 800 826 1457 or by email at support@biamp.com.